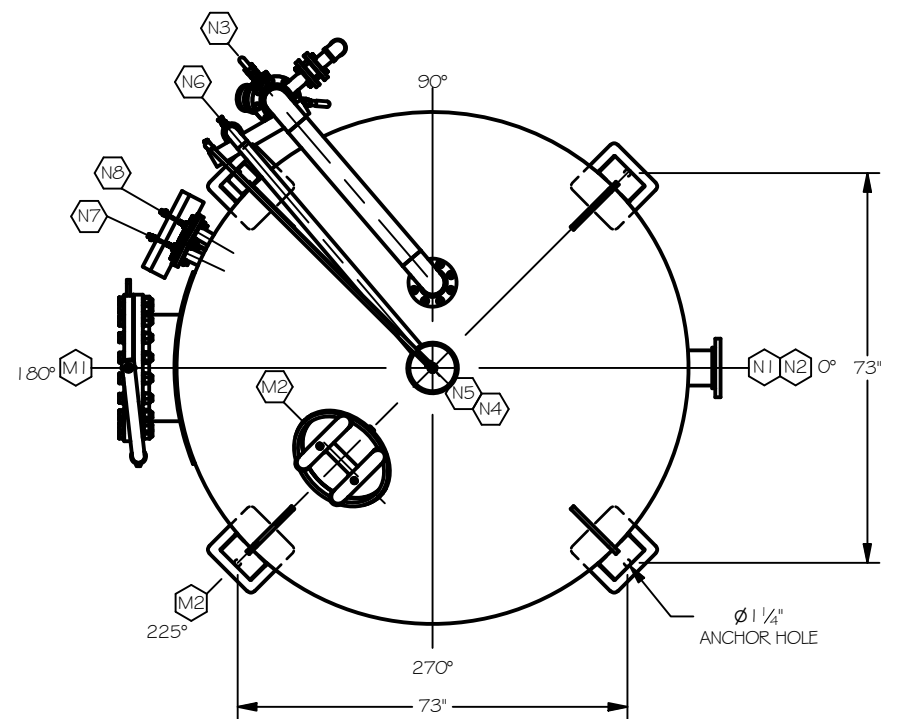
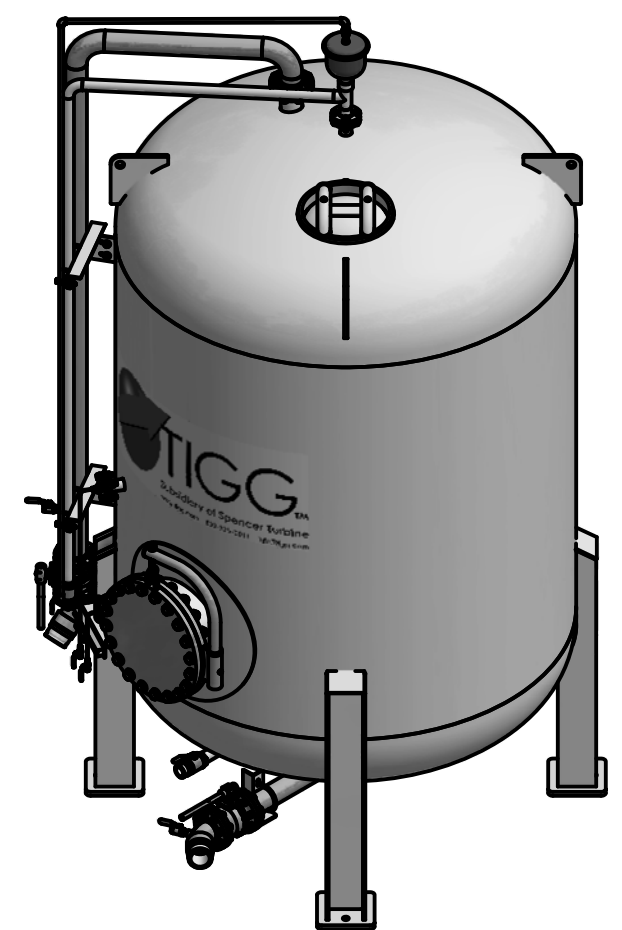


ELEVATION



PLAN



VESSEL STANDARDS:

- VESSEL MATERIAL: **SA-516-70**
- HEAD THICKNESS: **3/8"** HEAD TYPE: **2:1 ELLIPTICAL**
 - SHELL THICKNESS: **3/8"**
- COATINGS:
- INTERIOR LINING: **PLASITE 4110 - DFT 35-45(MAX)**
 - EXTERIOR COAT: **EPOXY BASE W/ URETHANE TOP**
- INTERNALS:
- **304 STAINLESS STEEL**
- VESSEL PROPERTIES:
- MAWP: **125 PSIG / -15 PSIG AT 150 f**
 - EMPTY SHIP WEIGHT: **8000 LBS**
 - TOTAL VESSEL VOLUME: **537 FT³**
 - MAXIMUM MEDIA FILL: **N/A FT³**

NOZZLE	DESCRIPTION	SIZE	LOCATION
N8	SAMPLE - LO	2" 150# FLANGE	SIDE SHELL
N7	SAMPLE - HI	2" 150# FLANGE	SIDE SHELL
N6	DRAIN	2" 150# FLANGE	BOTTOM HEAD
N5	VENT	2" 150# FLANGE	TOP HEAD
N4	CARBON OUT	4" 150# FLANGE	BOTTOM HEAD
N3	CARBON IN	4" 150# FLANGE	TOP HEAD
N2	OUTLET	6" 150# FLANGE	SIDE SHELL
N1	INLET	6" 150# FLANGE	SIDE SHELL
M2	MANWAY	20" 150# FLANGE W/ BLIND	SIDE SHELL
M1	MANWAY	14"x18" ELL. MANWAY	TOP HEAD
MARK	SERVICE	DESCRIPTION	LOCATION

REV	DESCRIPTION	BY	DATE
1	UPDATE VESSEL TO CODE EDITION 2017	JB	11/5/2018

PROJECT		CP-10K-8	
PROJ. NO.		STANDARD	
PO. NO.			
THIS DRAWING AND DESIGN ARE THE PROPERTY OF TIGG LLC. AND SHALL NOT BE REPRODUCED IN WHOLE OR IN PART. NOR EMPLOYED FOR ANY PURPOSE OTHER THAN SPECIFICALLY PERMITTED IN WRITING BY TIGG LLC. THIS DRAWING LOANED SUBJECT TO RETURN BY DEMAND.			
DRAWN BY	JB	TIGG LLC.	
DESIGN BY	JB		
CHECKED BY	JB		
DATE	12/2/2016		
SCALE	NTS	GENERAL ARRANGEMENT	
		CP-10K-8-GA-001	