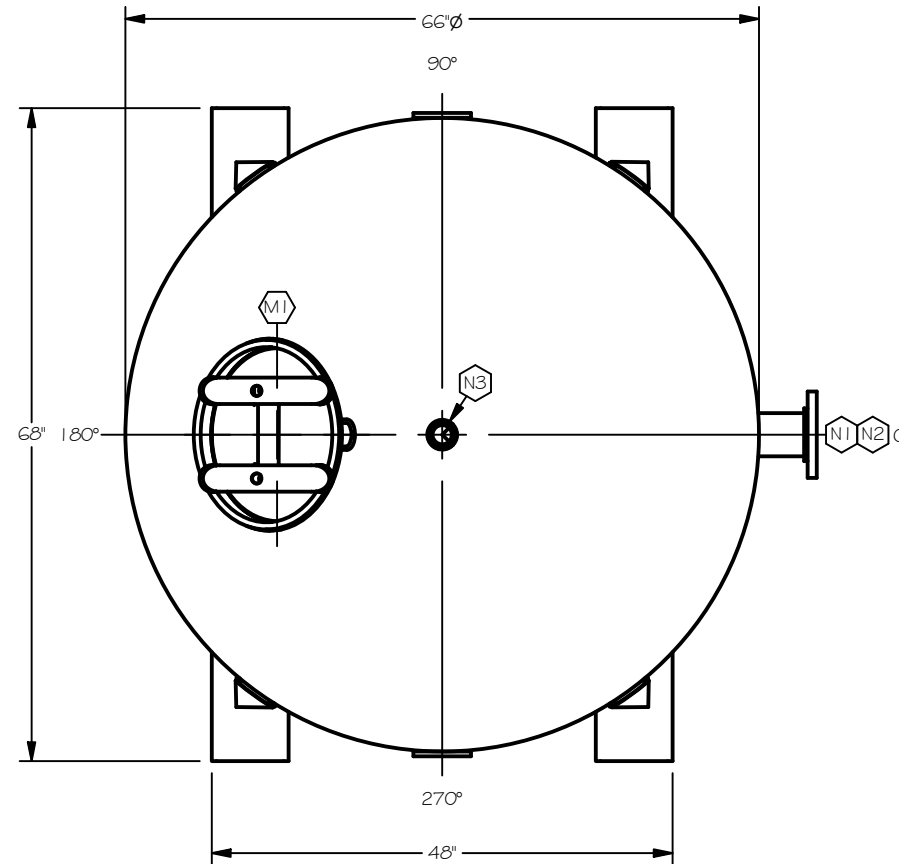
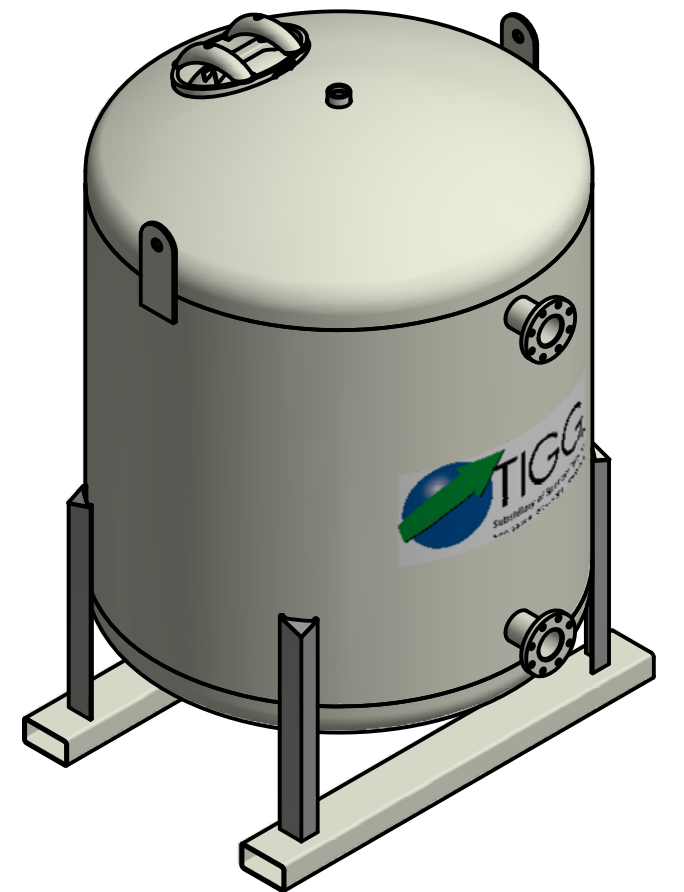


ELEVATION



PLAN



MARK	SERVICE	DESCRIPTION	LOCATION
N4	DRAIN	2" 150# FLANGE W/ 1/2" PLUG	BOTTOM HEAD
N3	VENT	2" NPT	TOP HEAD
N2	OUTLET	4" 150# FLANGE	SIDE SHELL
N1	INLET	4" 150# FLANGE	SIDE SHELL
M1	MANWAY	14"x18" ELL.	TOP HEAD

REVISION HISTORY			
REV	DESCRIPTION	BY	DATE
5	UPDATE VESSEL STANDARDS	JAK	11/9/2016

VESSEL STANDARDS:

- VESSEL MATERIAL: SA-516-70
- HEAD THICKNESS: 1/4" HEAD TYPE: CODE F#D
- SHELL THICKNESS: 1/4"
- COATINGS:
 - INTERIOR LINING: EPOXY PHENOLIC
 - EXTERIOR COAT: EPOXY BASE W/ URETHANE TOP
- INTERNALS:
 - PVC
- VESSEL PROPERTIES:
 - MAWP: 75 PSI AT 130 f
 - EMPTY SHIP WEIGHT: 2000 LBS
 - TOTAL VESSEL VOLUME: 151 FT³
 - MAXIMUM MEDIA FILL: 132 FT³

PROJECT		CP-3000	
PROJ. NO.		SALES	
PO. NO.			
THIS DRAWING AND DESIGN ARE THE PROPERTY OF TIGG LLC. AND SHALL NOT BE REPRODUCED IN WHOLE OR IN PART. NOR EMPLOYED FOR ANY PURPOSE OTHER THAN SPECIFICALLY PERMITTED IN WRITING BY TIGG LLC. THIS DRAWING LOANED SUBJECT TO RETURN BY DEMAND.			
DRAWN BY	JB	<h1>TIGG LLC.</h1>	
DESIGN BY	BB		
CHECKED BY	BB		
DATE	11/17/2005		
SCALE	NTS	GENERAL ARRANGEMENT	
		CP-3000-1001	5